

VirtualGT Professional Racing Simulator

Uses the highest quality components and advanced home theater technology to deliver the most authentic and exciting race driving experience available today



Why your first race car should be a VirtualGT.

- Drive every car on every track.
- Drive modern and vintage cars.
- Explore the world of motorsports.
- Learn to drive like the pros.
- Share your racing experience.
- Teach children how to race.
- Ultimate party entertainment.

Owner comments:

"I must say, the quality is far beyond what I expected."

"This is a very well built machine. You should be proud of what you have created!!"

"Amazing race training tool!!"

POWERED BY
D-BOX

Why own a racing simulator?

If you drive any race car on any track...

- Commit that track to detailed photographic recall.
- Improve your focus and hand-eye coordination.
- Learn optimum braking, turn-in and shift points.
- Practice maintaining consistent rhythm and pace.
- Learn or improve heel & toe shifting techniques.
- Get track time and setup info at low cost per lap.
- No travel, no risk, no repairs or ongoing costs.

If you love to watch racing or collect cars...

- Actually drive the cars you love to watch and collect.
- Thousands of hours of motorsports entertainment.

Why own a VirtualGT racing simulator?

Simply because it's the best!

- Custom designed audio and vibration system that recreates the actual sound and feeling of a race car.
- Motion system moves the entire chassis.
- Pro controls for precise steering, braking, shifting.
- High resolution triple-screen video.
- Enclosed displays for the most immersive image.
- Proven technology... 500+ units delivered since 2003.
- 2-year top-to-bottom warranty. In home service.
- Personal support by factory engineers who share your screen over the Internet.

■ **VirtualGT Pro PC**
From \$17,995 to \$54,776

VirtualGTTM
Motorsport's Most Popular Simulators

VirtualGT Pro PC

SPECIFICATIONS

AUDIO

- 9-channel, 500 Watt power amplifier.
- Custom microprocessor controlled audio processor with electronic crossover, vibration enhancer, digital level controls with memory, intercom and headset audio system, SRS™ surround.
- Four satellite speakers with 3" aluminium cone mid/woofer and dome tweeter. Custom passive crossover.
- 8" carbon fiber subwoofer under the seat in tuned ported enclosure.
- 3" stainless steel tailpipe for amp fan.

VIBRATION

- Four vibration transducers located on the pedals, wheel and two on the seat shell.
- Individual level controls for each location with memory and six presets.

MOTION

- Four (250 lb. rated) D-BOX actuators with dual controllers. USB interface. Advanced 9-channel software with Skid-Vector™.

CONTROLS

- Force-feedback steering mechanism with leather-wrapped Sparco alloy wheel. Rotation adjustable from 100° to 900°.
- Optional force-proportional braking system with full size adjustable pedals.
- Paddle shifters on each side of wheel.
- Optional custom designed sequential shifter with ball-bearings, billet aluminum.
- Optional pro gated shifter with adjustable detent for gear position. Seven speeds plus reverse. Rugged steel construction.

VIDEO

- **P-50** 50" 1080p commercial plasma with color matched metal enclosure.
- **TS-324** Triple 24" LCDs with custom integrated mount and color matched aluminum enclosure. Flat black inside.
- **TS-340** Triple 40" LCDs. Commercial video-wall displays designed for 24/7 operation, super bright, with amazingly thin 11mm (0.43") wide bezel.

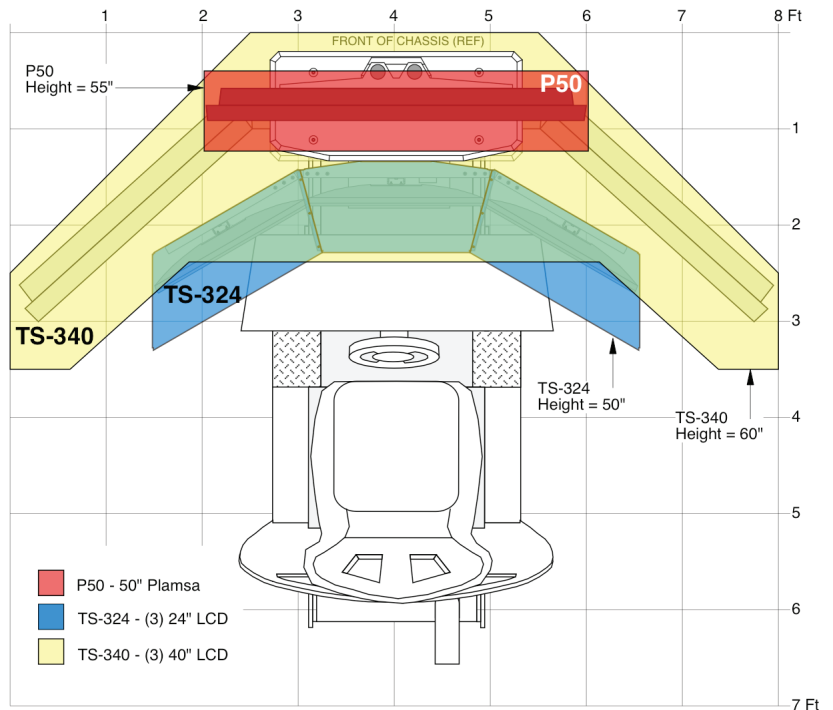
SEATING

- VGT designed and fabricated racing seat with comfortable padding and wide design. Extra wide version available.

POWER REQUIREMENTS

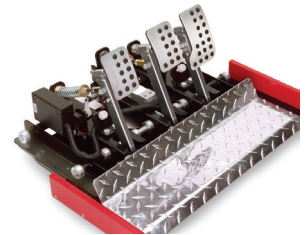
- 100-240 VAC, 50-60 Hz.
- 900-1500 Watts, depending on model.
- Connects to standard 20 Amp household outlet. Power cord at bottom-front.

DIMENSIONS



OPTIONS

MODEL	DESCRIPTION
VGT-PRO PC0	VGT Pro Chassis w/standard PC, software, standard wheel & pedals, no display, complete
PPED-1	Pro Pedals
SST-1	Sequential Shifter
PHST-6	Pro Gated Shifter
MB-DX4	Advanced Motion System
PD-50	50" 1080p Plasma w/Enclosure
TS-324	Triple 24" Display w/Enclosure (includes Pro PC upgrade)
TS-340	Triple 40" Display w/Enclosure (includes Pro PC upgrade)
CCLR	Custom Color or 2-Tone Paint
CF-324	Carbon Fiber Trim (3-24")
CF-340	Carbon Fiber Trim (3-40")
D-KIT	Decal Kit (your graphics)
HPH-1	Sennheiser Pro Headset
CML	Commercial Build (Grab Bars, Dash Disable switch)



VirtualGT™
Motorsport's Most Popular Simulators